

BAKA Protect 2010 2D FD

with 2D adjustment for timber doors



Product features

- for rebated timber entrance doors
- concealed receiver in the door leaf
- for doors with overlap seals
- 2D adjustment (side +/- 3,0 mm, compression +/- 3,0 mm)
- minimized routing work
- maintenance-free slide bearings

Technical details

Attributes	Value
Load capacity	120,0 kg
Knuckle length	120,0 mm
Knuckle diameter	20,0 mm
Pin diameter	10,0 mm
Cutter diameter	20,0 mm

Note

The load capacity mentioned above refers to the use of 2 hinges per door leaf (1 x 2 m), for detailed information please look at the chapter "technical information".

Quality marks



Certification CE



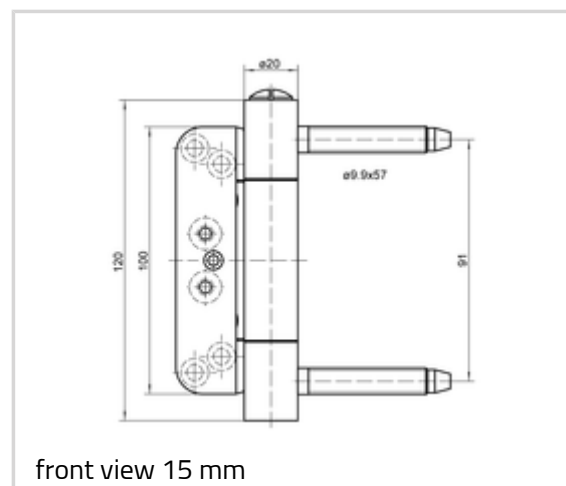
Certification IFT

Classification key

2	7	3	0	1	* ₆	0	10 ₈
---	---	---	---	---	----------------	---	-----------------

⁶ depending on the finish

⁸ test cycles in continuous operation with 120 kg



front view 15 mm

BAKA - BAKA Protect 2010 2D FD

OF-NR.	110
VPE	pack of 10
DIN	DIN right and left hand
Item No.	5 080814 0 11006
EAN	4015471104634

Finish(es)	079-coloured
OF-NR.	079
VPE	EUR-pallet
DIN	DIN right and left hand
Item No.	5 080814 0 07975
EAN	4015471106836