



GEZE ACTIVESTOP
NEW DOOR CONTROL

GEZE ActiveStop

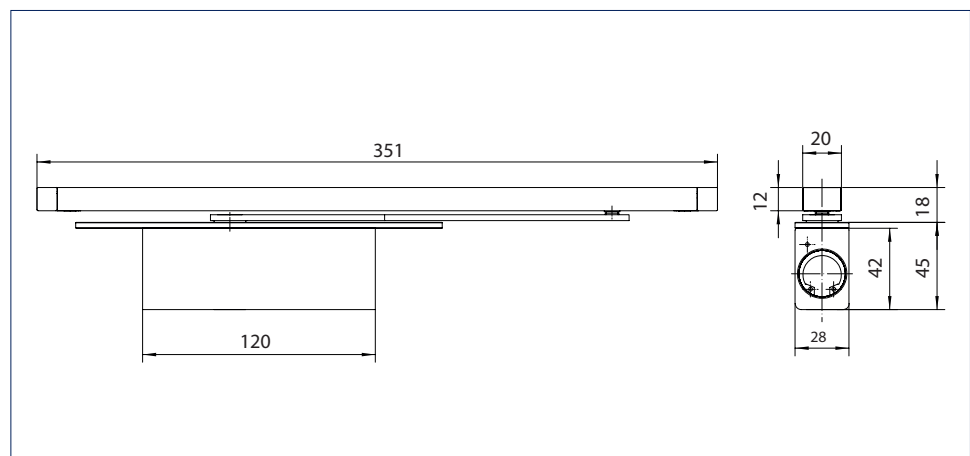
New door control

The new double-sided GEZE ActiveStop draw-in damper allows for a new kind of convenience when entering a room. The clever function ensures the controlled opening and closing of swing doors with a weight of up to 45 kg. The GEZE ActiveStop is only 28 millimetres wide and can be inconspicuously integrated into the door leaf. When the door is being closed, the draw-in damper draws the door in softly and safely from around 25 degrees. Door-slamming – due to a draught or inattention – with possible damage to the door or a risk of trapping fingers is virtually eliminated. The door stays shut independently. A lock with latch and strike plate is not necessary. The opening of the door is also damped. The GEZE ActiveStop gently draws the door to the maximum opening width, which can be flexibly adjusted between 80 and 140 degrees.



Focus Open 2015
Silver

GEZE ActiveStop



APPLICATION AREA

- For controlled dampened opening and closing of interior swing doors
- For doors with leaf thickness of 38 mm or above
- Max. 45 kg door leaf weight
- Max. 1100 mm door leaf width
- For DIN left and DIN right single-action doors
- For rebated and closing flush doors

PRODUCT FEATURES

- Draw-in damping in closing direction starting from approx. 25°
- Draw-in damping in opening direction starting from approx. 60°
- Resistance-free door operation between 25° and 60°
- Door opening angle continuously adjustable between 80° and 140°
- Opening and closing damping when installed can be set via a valve
- No additional door stopper required
- Barrier-free in accordance with DIN 18040-2 due to low opening forces
- Easy maintenance due to low number of individual parts and quick setting

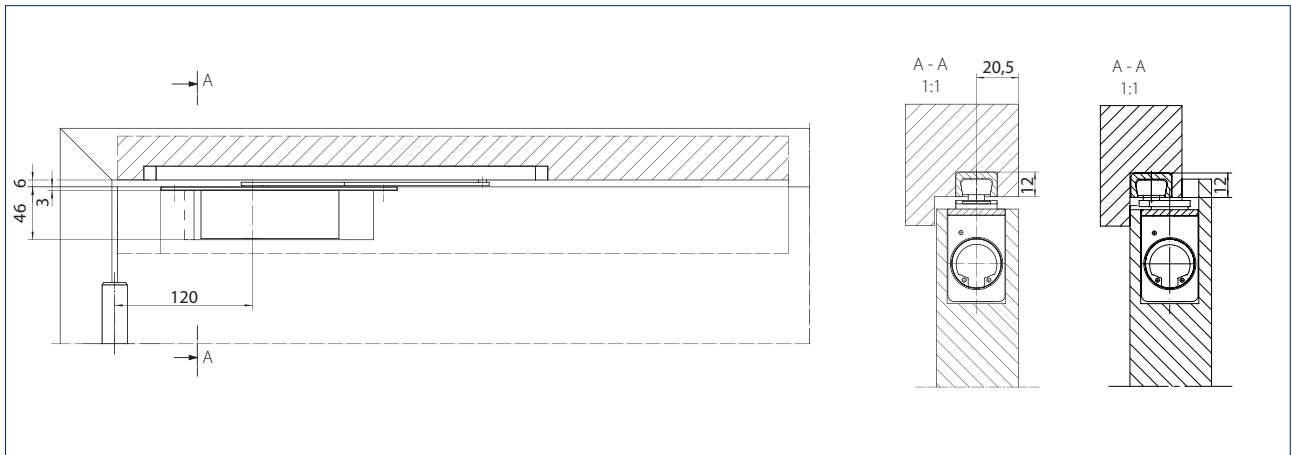
TECHNICAL DATA

Product features	GEZE ActiveStop
Length	352 mm
Installation width	28 mm
Installation depth	46 mm
Optimised function up to	45 kg
Recommended leaf width up to	1100 mm
Leaf thickness from	38 mm
Same version for DIN left and DIN right	•
Leaf material	Wood interior doors
Rebate	approx. 5 mm clearance in handle area
Leaf type	rebated and closing flush
Installation type	concealed
Adjustable draw-in damper	Yes, via valve
Draw-in damper in direction of closing movement from	25 °
Free swing area	25 – 60 °
Draw-in damper in direction of opening movement from	60 °
Adjustable door opening angle	Yes, stepless
Door opening angle	80 – 140 °
Secured final position	safe holding of the door in the open position, no door stopper needed
Integrated safety valve against overload	•
Product tested in accordance with	DIN 18040-2
Door latch block	Included in delivery

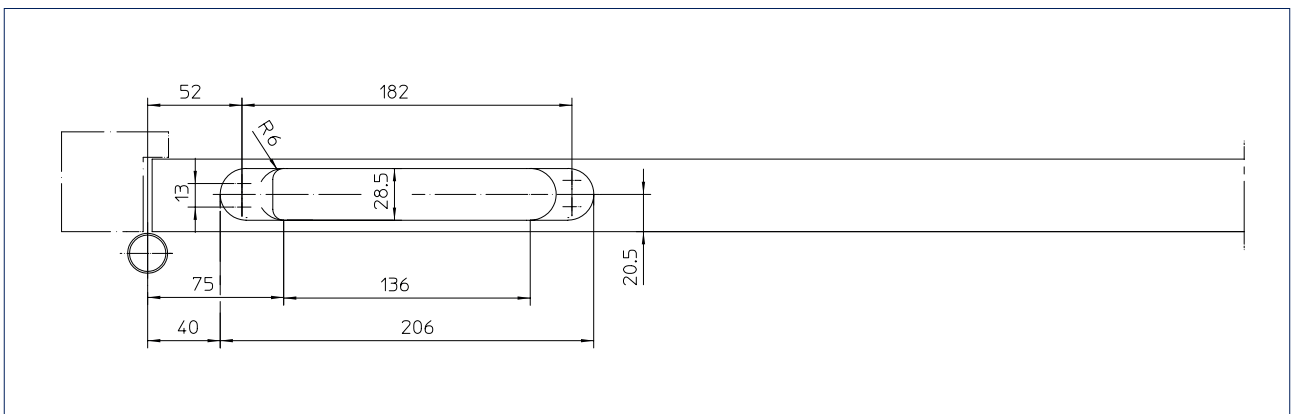
• = YES

DRAWINGS

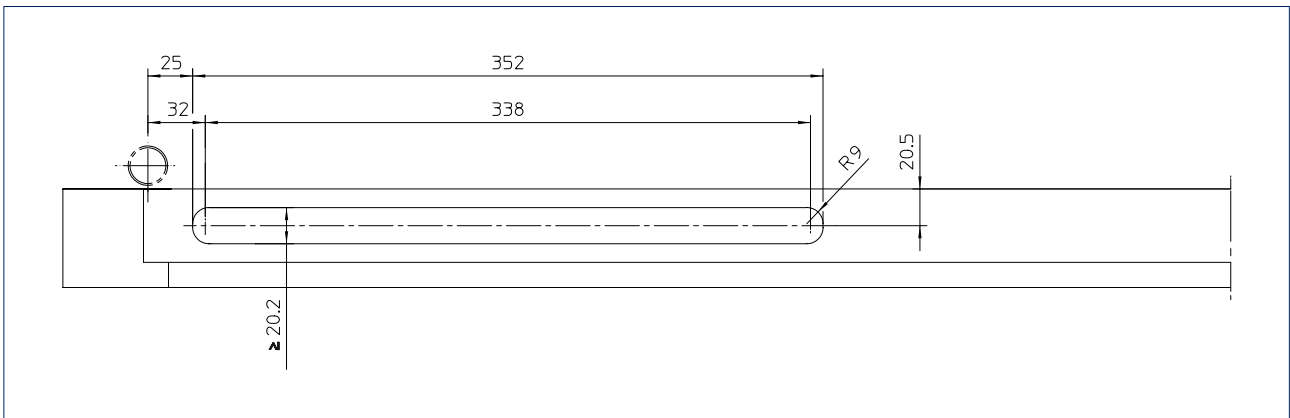
Installation drawing



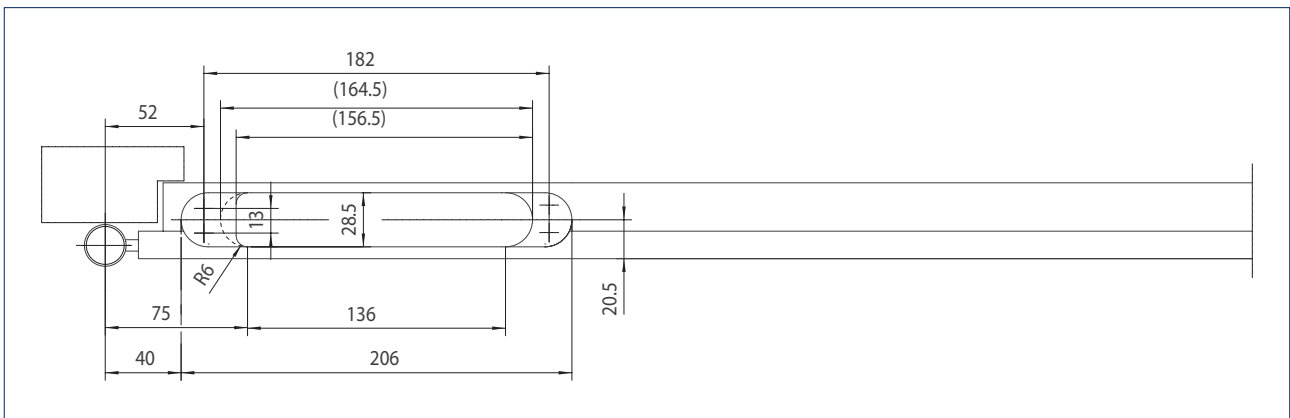
Door leaf finish for flush impact doors



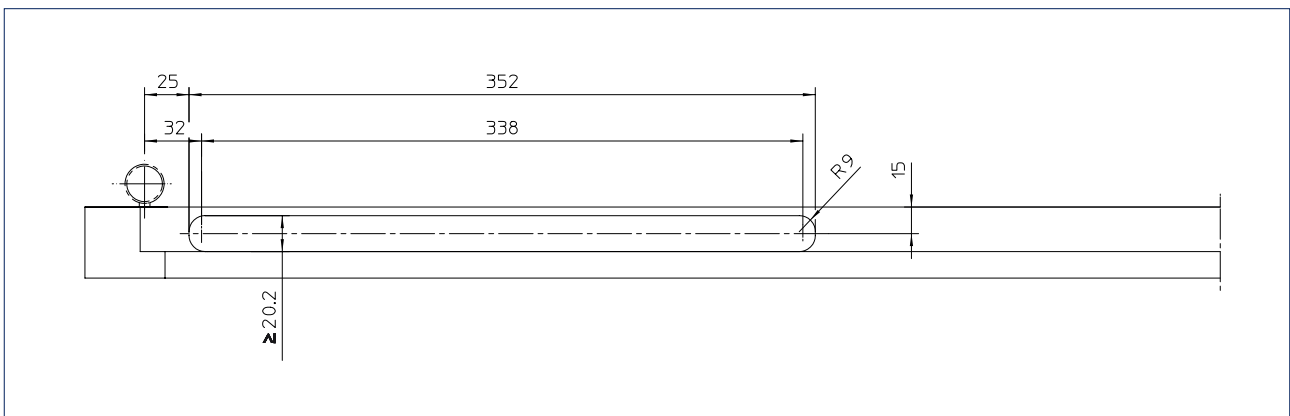
Door frame finish for flush impact doors



Door leaf finish for rebated doors



Door frame finish for rebated doors



OVERVIEW OF DAMPING RANGES



- 1 = Damping in closing direction from 25° with ~ 10 Nm closing moment
- 2 = "Free swing" between 25° and 60°
- 3 = Damping in opening direction from 60° up to maximum 140°
- 4 = Variable opening restriction can be set in the rail via the damping element

ADVANTAGES IN CLOSING DIRECTION

- Gentle, controlled braking and retraction of door when closing from an angle of 25°
- No uncontrolled slamming of door (due to draughts or carelessness)
- No damage to frame, door leaf, etc. when slamming door
- Minimises the risk of trapped fingers
- No noise development
- Door stays shut independently, no lock (lock case, latch, strike plate) necessary indoors

ADVANTAGES IN OPENING DIRECTION

- Gentle retracting of door in maximum open position (adjustable from 60° to 140°)
- No damage to walls, door leaves or furniture when opening door
- Comfortable for users (e.g. when carrying a large bag or a child in one's arms)
- No floor buffer or wall buffer necessary

ORDERING INFORMATION GEZE ACTIVESTOP

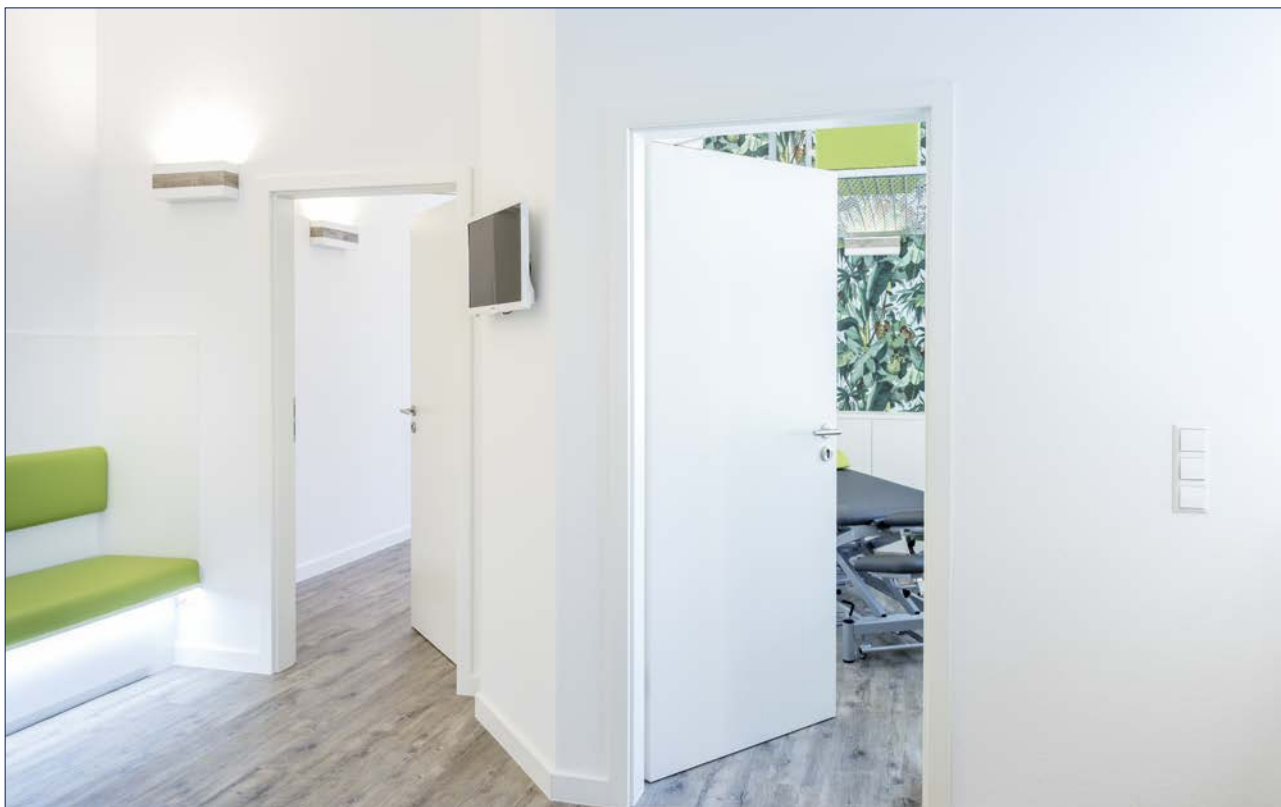
Description	Version	ID no.
<p>GEZE ActiveStop (ready-to-install complete set in fine silver) Scope of delivery: GEZE ActiveStop, slide rail with slide block and end buffer, connection handle, universal door latch block, installation material</p>	Silver	163411
Accessories		
<p>Mill template For the preparation of the door leaf and frame with a customary router</p>		166886
<p>Fixing plates for guide rails For securing the guide rail in wooden frames with insufficient screw-in depth of the fixing screws</p>		165814



Milling template
 (166886)



Fixing plates for guide rails
 (165814)



Physiotherapy practice "Behandelbar", Sindelfingen, Germany (photo: Jürgen Pollak)