

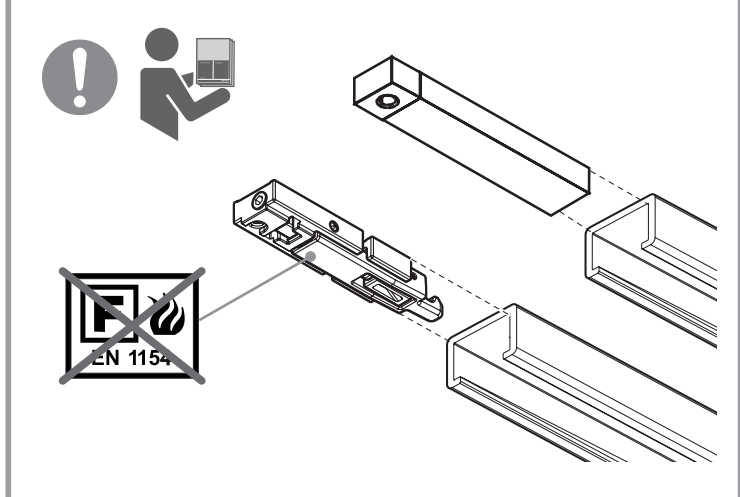
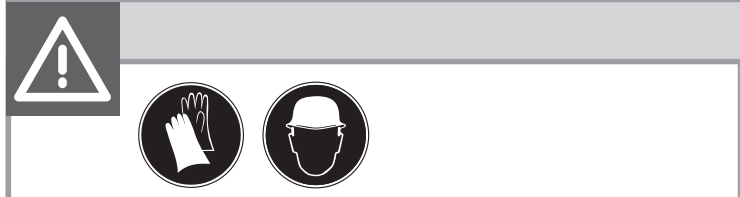
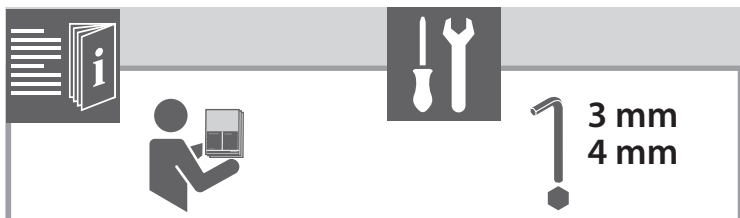
Gleitschiene 12 mm  
 Guide rail 12 mm  
 Coulisse 12 mm

BOXER

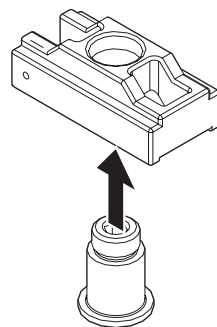
129361-03



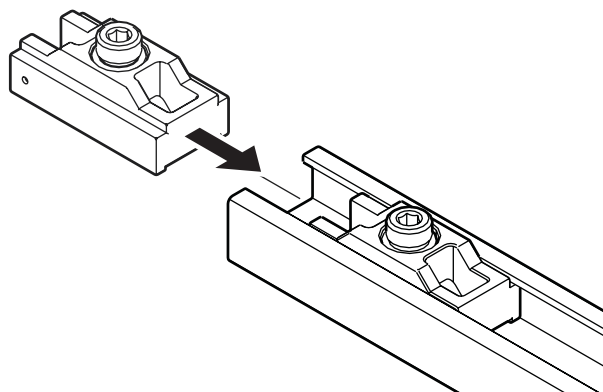
**GEZE**



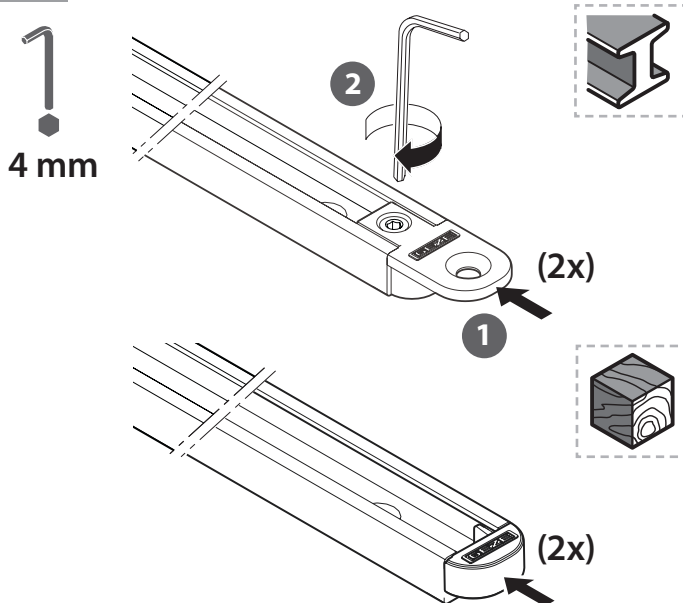
1



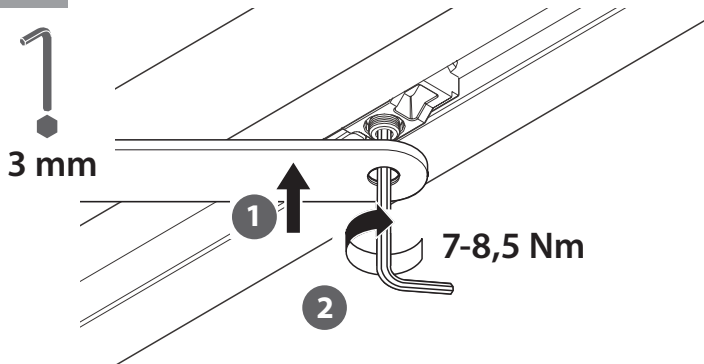
2

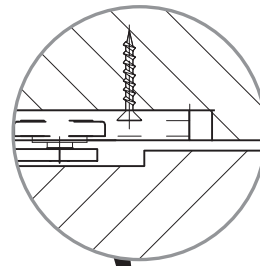
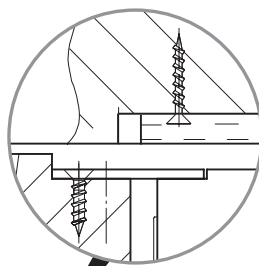
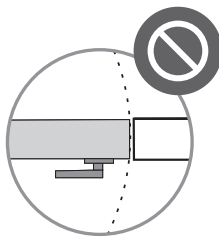
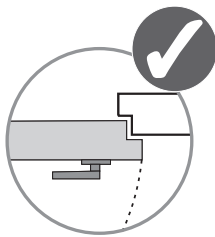
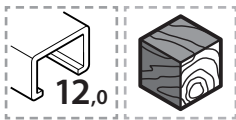


3

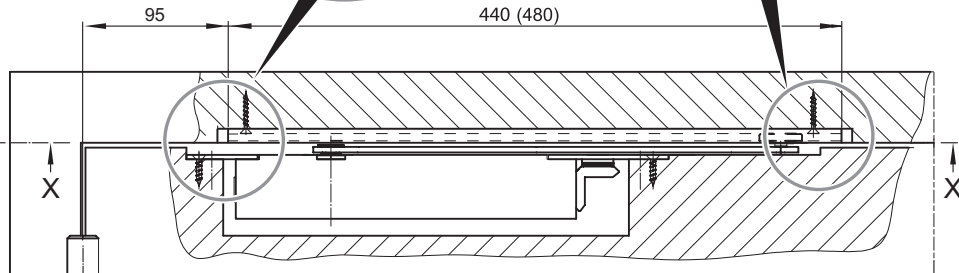
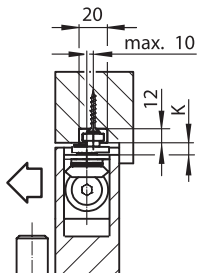
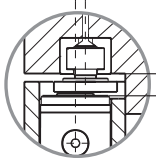


4

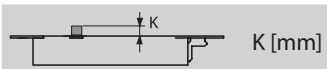




max. 10 mm



( ) = Boxer EFS 4-6

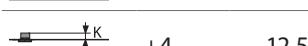


K [mm]



0

8,5



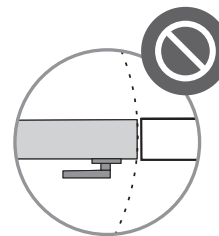
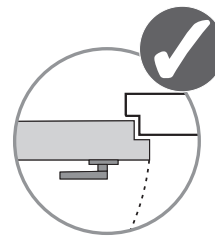
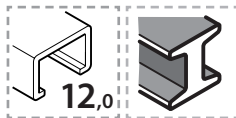
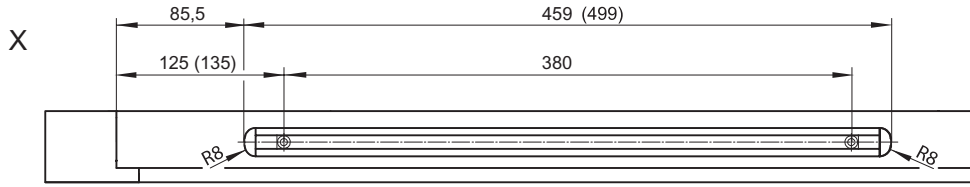
+4

12,5

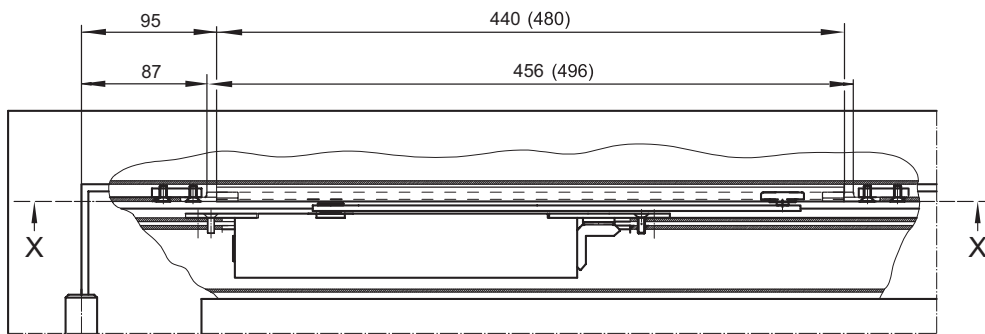
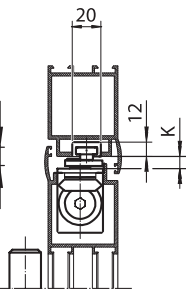
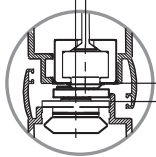


+8

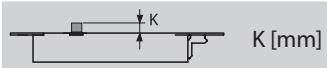
16,5



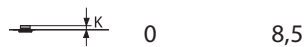
max. 10 mm



( ) = Boxer EFS 4-6

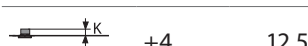


K [mm]



0

8,5



+4

12,5



+8

16,5

