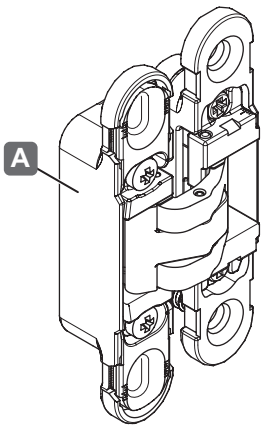
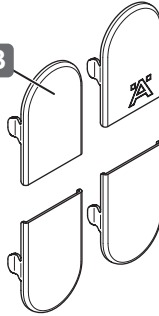


341.24.335  
341.24.435  
341.24.735

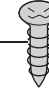


4x **B**



+

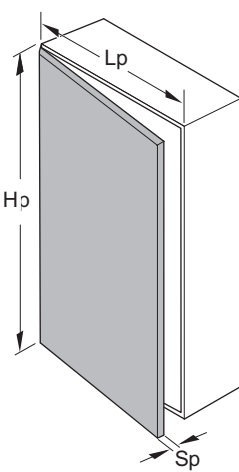
4x **C**

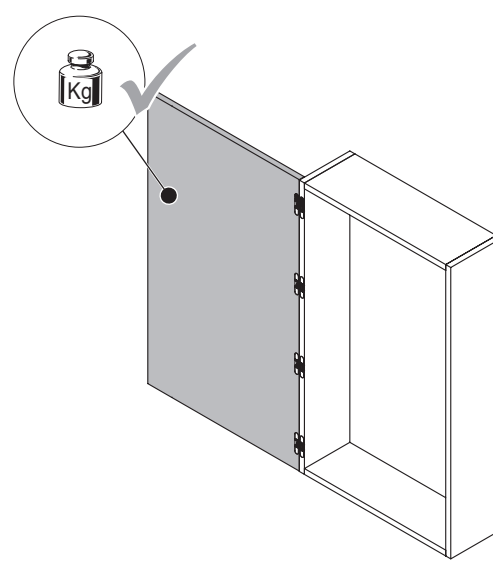


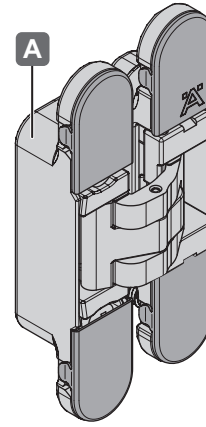
Ø 4,0 mm

732.23.349

i
mm

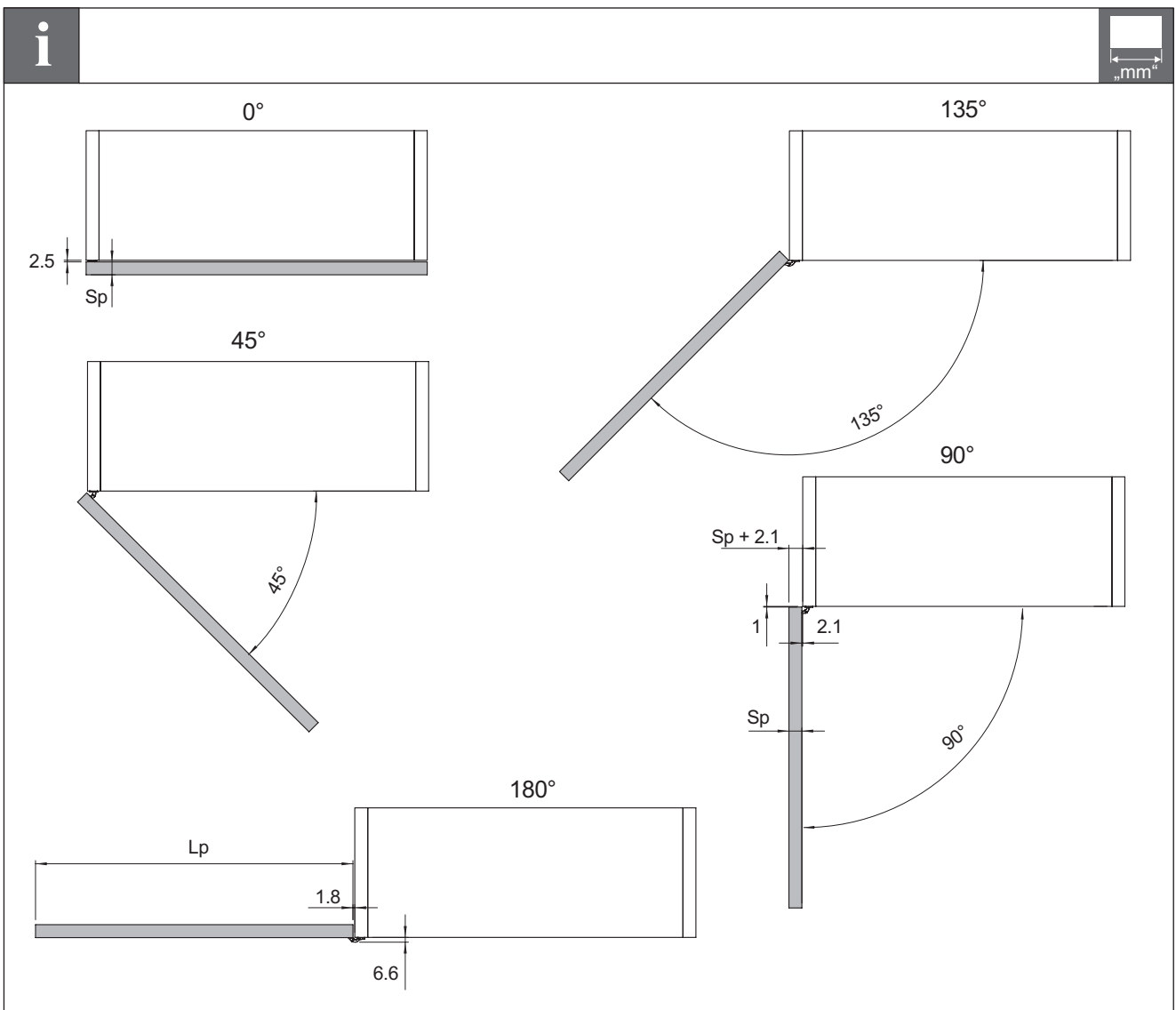
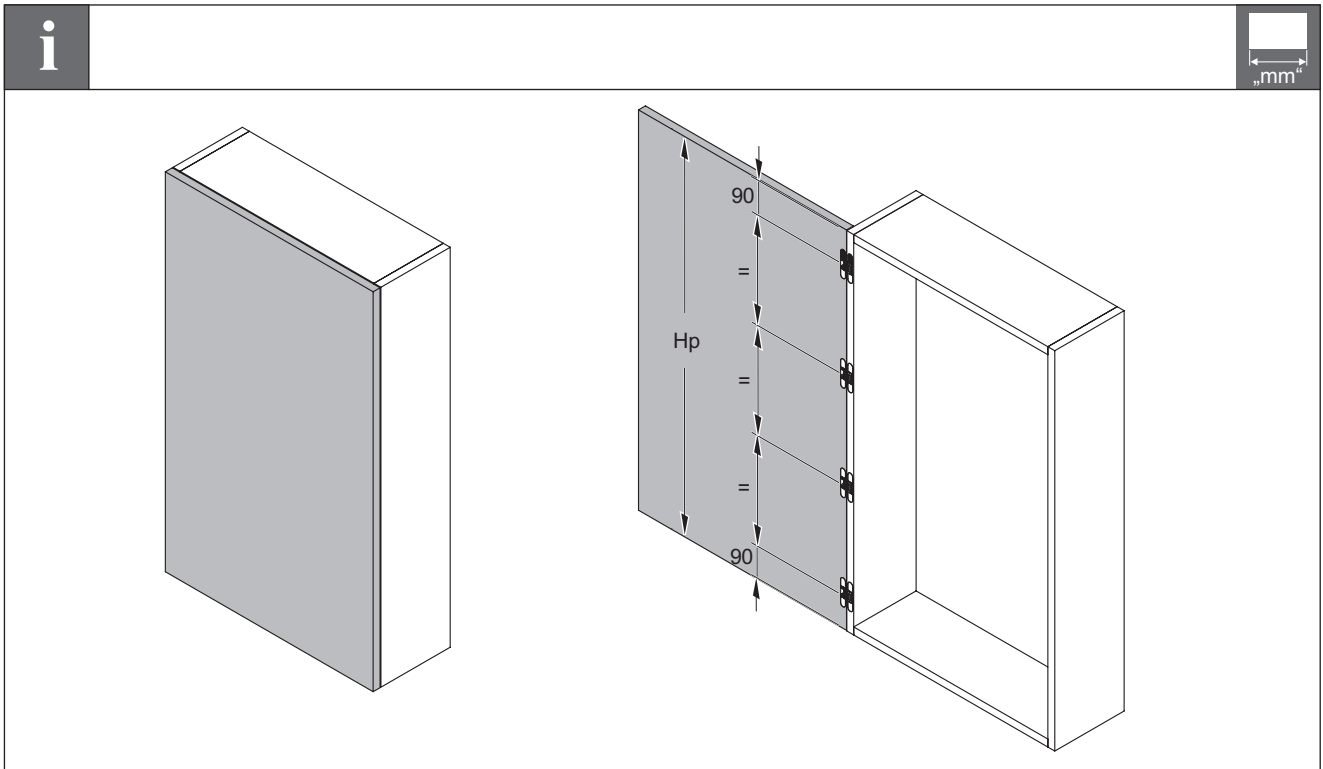




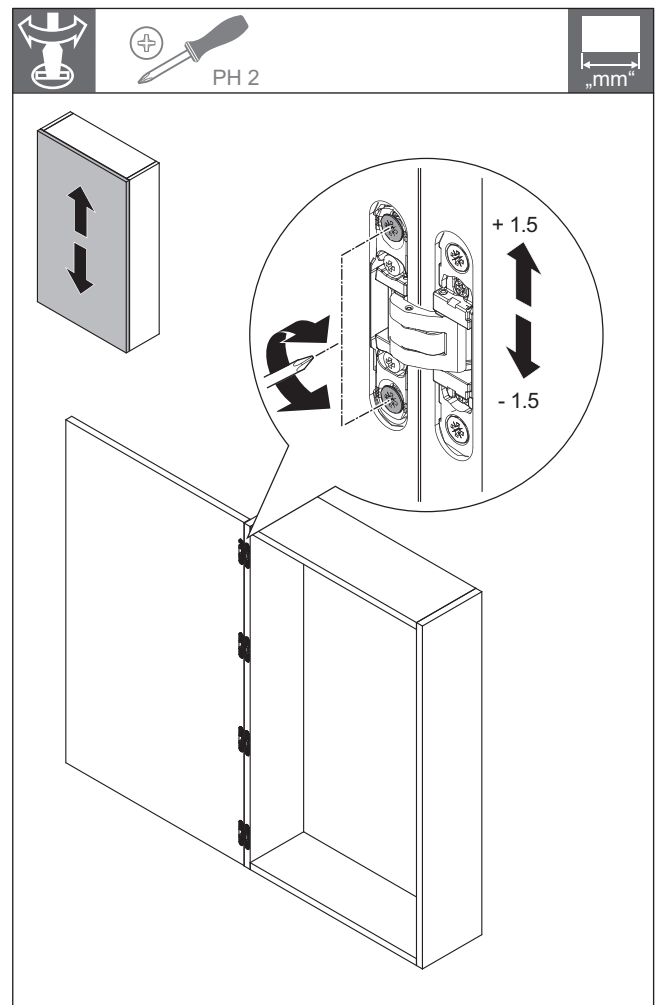
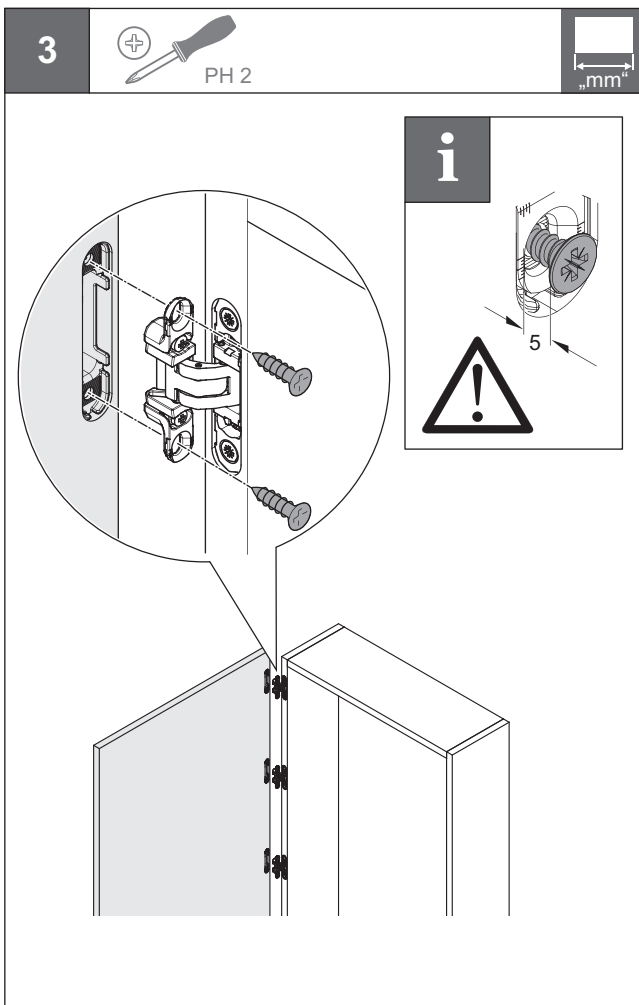
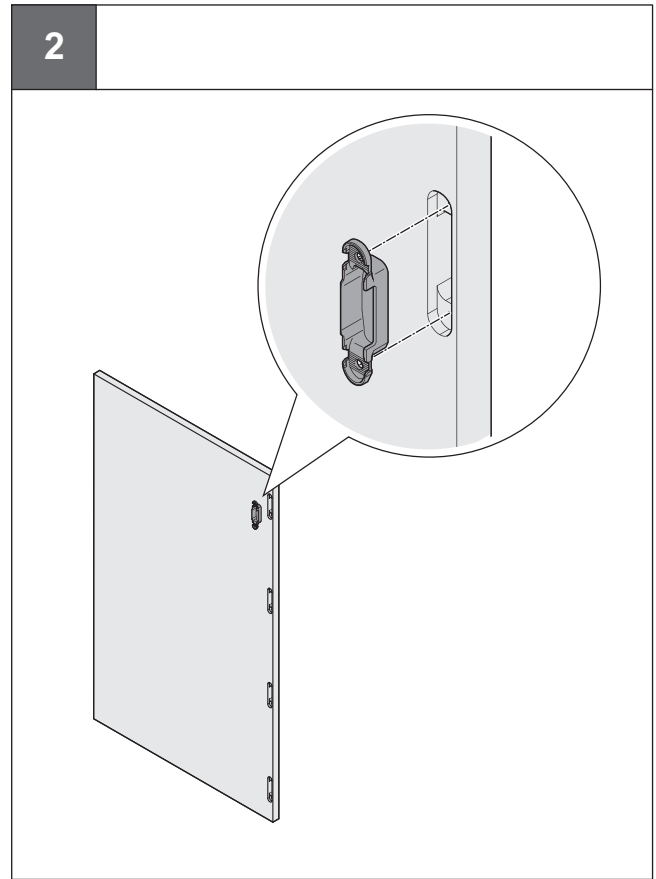
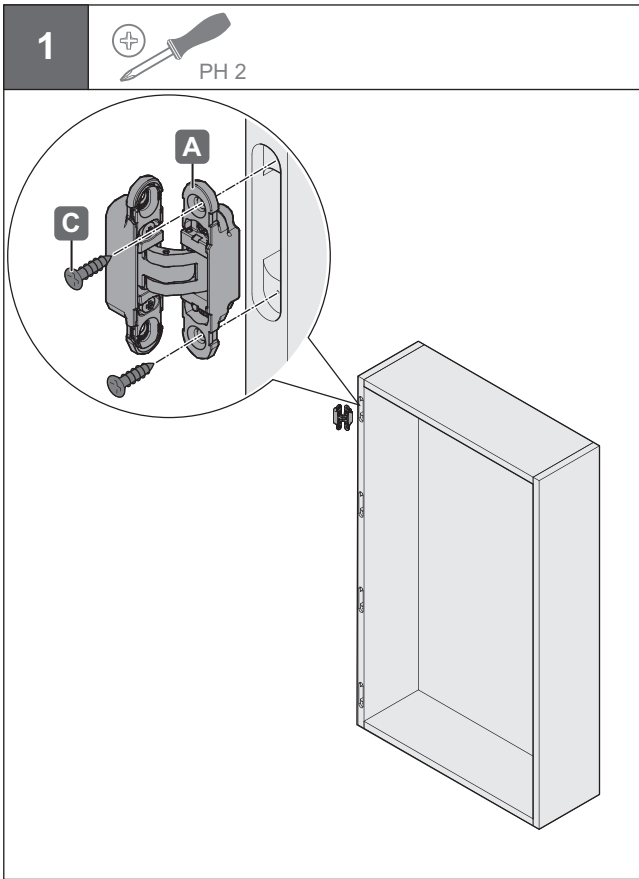


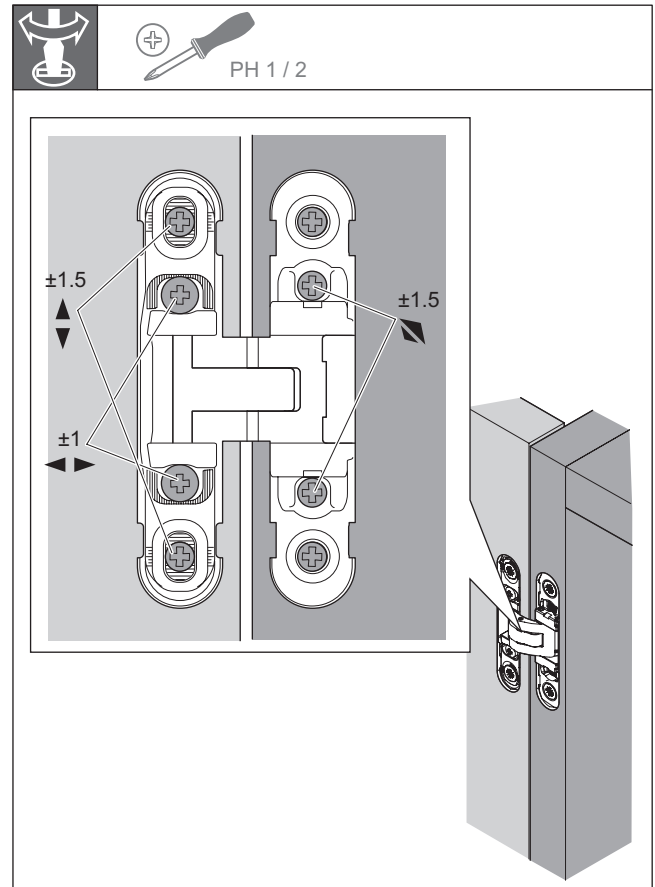
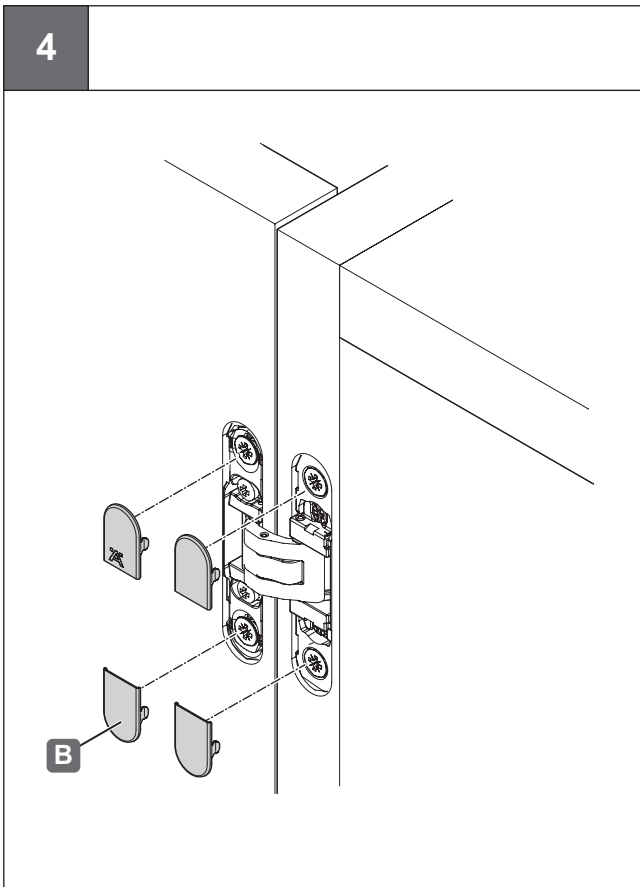
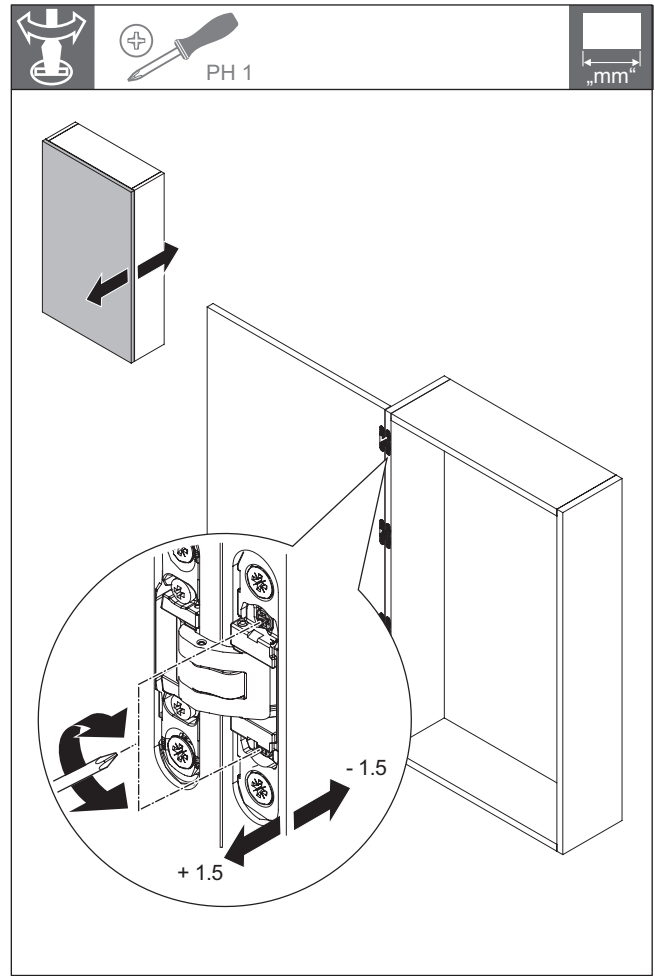
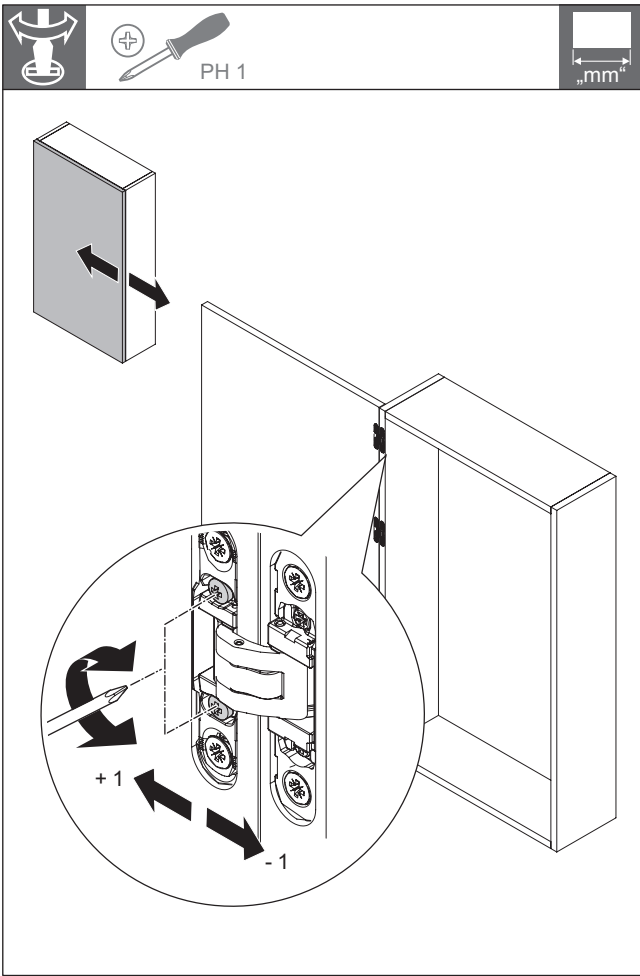
Hp: 0 - 1000	Lp: = 600 Sp: = 20	≤10,5	2x
Hp: 1000 - 1500		10,5-14	3x
Hp: 1500 - 2000		14-19	4x

HDE 10.05.2022









732.23.349

HDE 10.05.2022

